

# Installation Instructions

## 安裝說明書

REAR TOW HOOK - RH SIDE

前拖車勾 - 右側

#Q0876

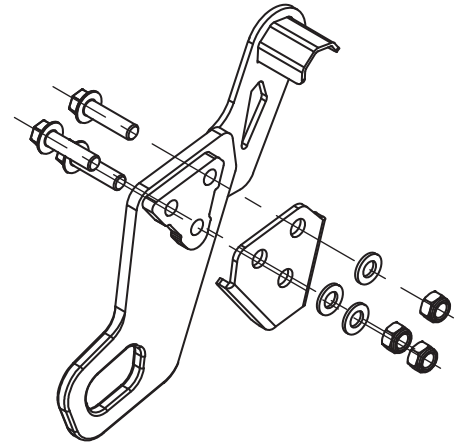
### Application 適用車型

Suzuki Jimny JB64/74

\*For Left Hand Drive Cars Only 僅左駕車型適用

### Components 內含配件

- ① Tow hook 拖車勾.....1pcs
- ② Mounting bracket 對鎖支架.....1pcs
- ③ Bolt 螺絲 (M12x1.75x45).....3pcs
- ④ Nut 螺帽 (M12x1.75-19x12).....3pcs
- ⑤ Washer 華司 (24x13x2.6).....3pcs



### Caution 注意事項

- Installation is recommended to be performed by licensed mechanics with necessary tools to ensure safety. Incorrect installation may cause injury, damage to the product or vehicle.  
安裝建議由合格的技師及工具執行以確保安全。安裝錯誤可能對人員、產品及車輛造成傷害。
- Note the routing of wires and cables before installation, or please refer to factory manual.  
安裝前請事先記下線路的安裝路徑及位置以維持原廠配置。有疑問時請參考原廠手冊。
- Tighten bolts and nuts firmly by using handtools, and with specified torque if mentioned.  
安裝過程請使用手動工具確實鎖緊螺帽及螺絲。如有特別註明請依照說明指示的扭力上鎖。

### Instructions 安裝說明



1. Place the new tow hook onto the factory RH side front tow hook.

將新的拖車勾桿身置於原廠的右邊前拖車勾上。

2. Install supplied M12 hardware and mounting bracket to secure the tow hook.

使用附件的M12螺絲配件及對鎖支架將拖車勾固定。

#### Recommended Torque Spec

螺絲上鎖扭力值

M12 : 80Nm

