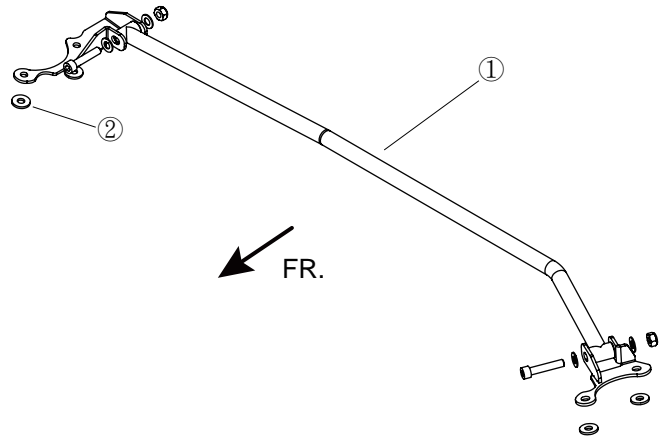


Application 適用車型

Skoda Superb B8 '15-present

Components 內含配件

① Strut Brace 引擎室拉桿總成	1PCS
Bolt 螺絲 (M10x1.5x60)	2PCS
Nut 螺帽 (M10x1.5-17x10)	2PCS
Washer 華司 (20.8x10.7x2)	4PCS
② Washer 華司 (25.4x10.3x3)	4PCS



Caution 注意事項

- Installation is recommended to be performed by licensed mechanics with necessary tools to ensure proper installation and safety, or damage to the product or vehicle may occur.
- Note the routing and position of wires and cables before installation. Please refer to factory manual.
- Tighten bolts and nuts firmly using handtools, or with specified torque if mentioned.
- 安裝需由合格的專業技師及工具執行以確保安裝正確及安全，否則可能對產品或車輛造成傷害。
- 安裝前請記下線路安裝路徑及位置，或請參考原廠手冊。
- 請使用手動工具確實鎖緊螺帽及螺絲，或依照說明中標註的扭力上鎖。

Instructions 安裝說明

1. Remove the wiper arms and cowl panel to expose the top of strut mounts, then remove the inner 4 nuts of the mounts on both sides.
拆卸兩刷臂及兩刷蓋板後找到避震器上座，接著拆卸兩側上座靠內側的4個螺帽。
2. Place ② Washers onto the holes of strut mounts, then position ① Strut brace over the mounts and tighten the bolts back.
將 ② 華司 置於上座孔位，並將 ① 引擎室拉桿放置在避震器上座並鎖回上座螺帽。
3. Install the cowl panel and wiper arms back.
完成後裝回兩刷蓋板及兩刷臂。

